

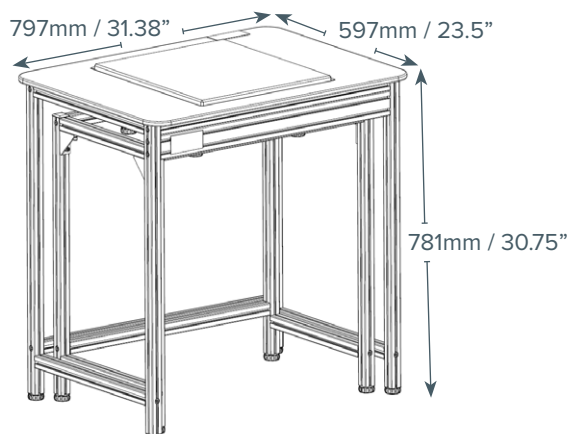


Ergonomically styled, the AVT offers a solid, stable surface developed specifically to help decrease vibration during measurement. When used in tandem with a balance, the table allows the balance to perform with marked precision, despite air currents or movements that might cause readings to fluctuate. The AVT is easy to assemble, with all necessary tools supplied. The internal working surface measures 15.7" x 17.7" / 400 x 450mm, allowing ample space for a balance. Its large, scratch-resistant dark granite slab sits on shock-absorbing rubber mounts, while leveling feet accommodate uneven surfaces. The balance fits in the middle of the AVT's granite surface, stabilizing the base and enabling greater precision.

The smartest solution for reducing vibration when weighing

Features

- Two-table construction keeps the granite block in the middle and reduces interference
- Large working surface of 15.7" x 17.7" / 400 x 450mm
- Scratch-resistant granite slab
- Extra space surrounding the vibration slab for resting samples
- Lightweight tubular aluminium frame
- Adjustable levelling feet for uneven surfaces
- Polished finish is easy to clean
- Total weight of table and work surface 121lb / 55kg



About ADAM:

For more than 40 years, professionals worldwide have relied on Adam Equipment for an extensive selection of dependable and affordable weighing equipment. Adam provides the right balance of speed, performance and value.

Supplied by